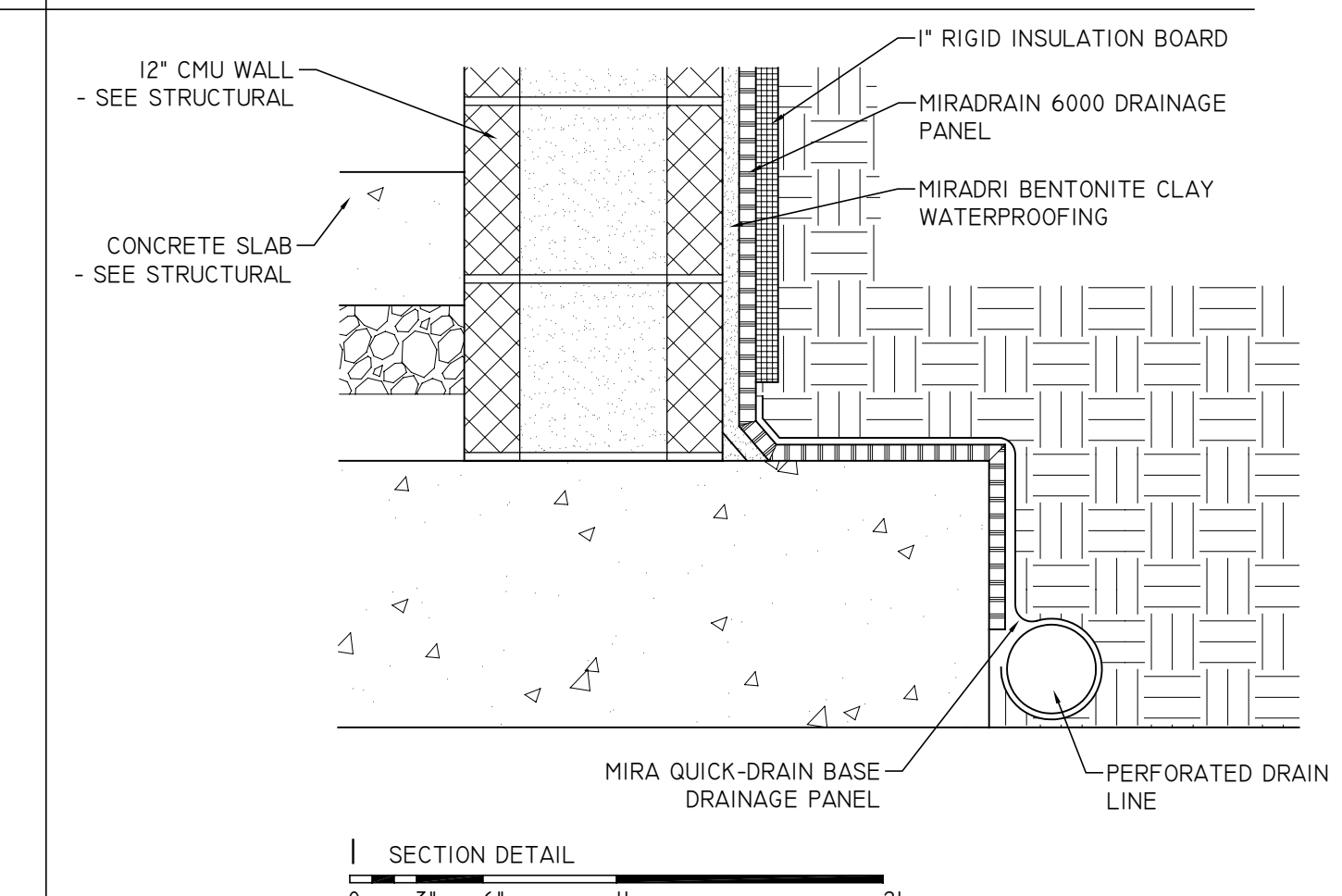
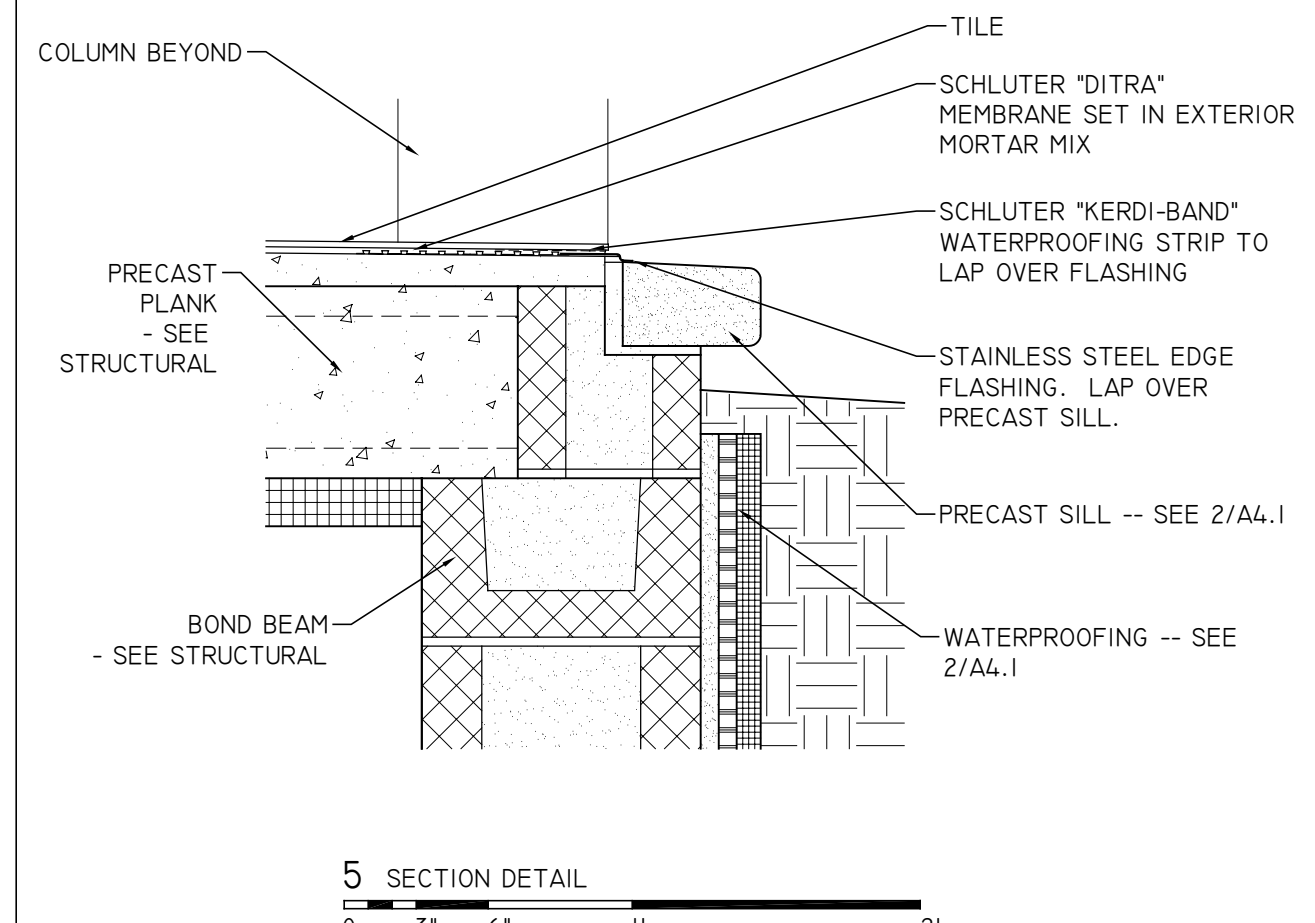
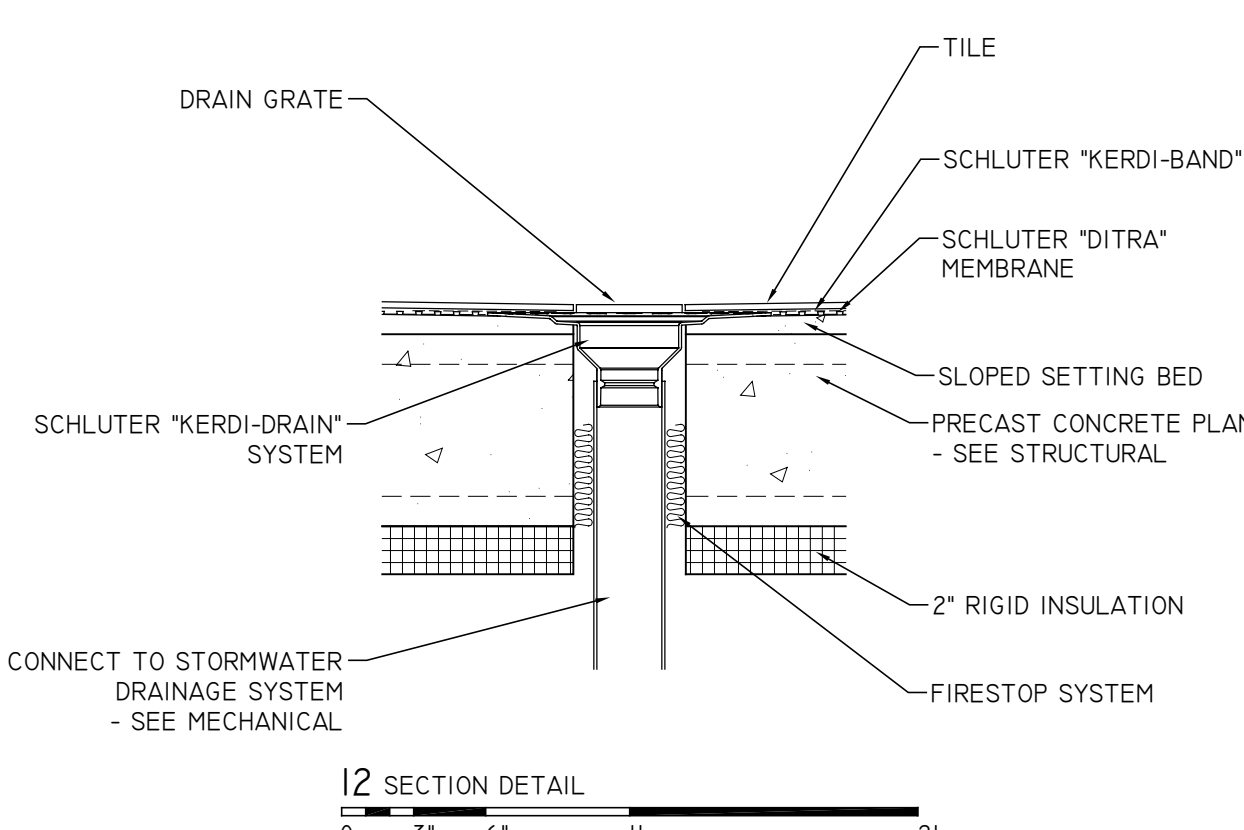
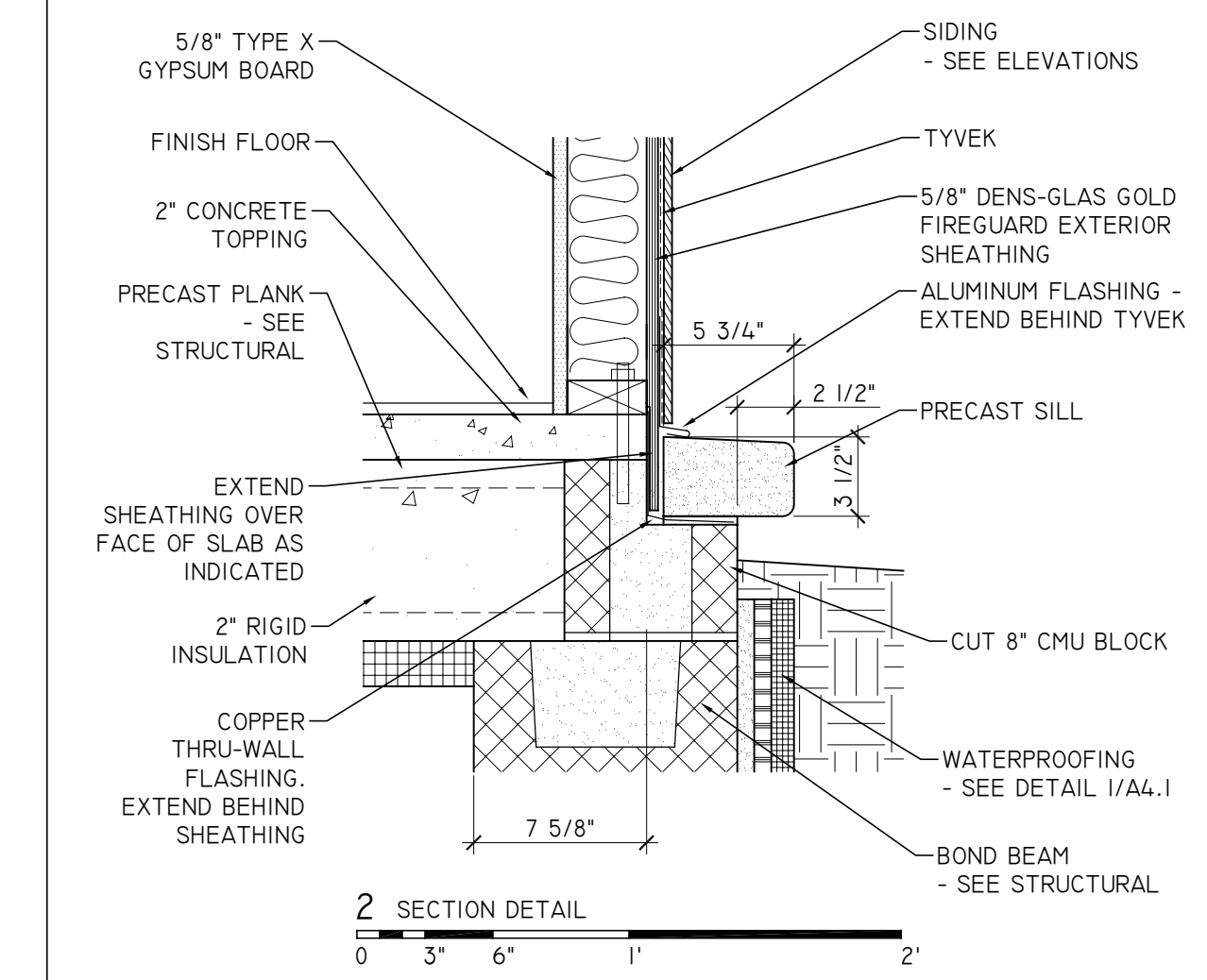
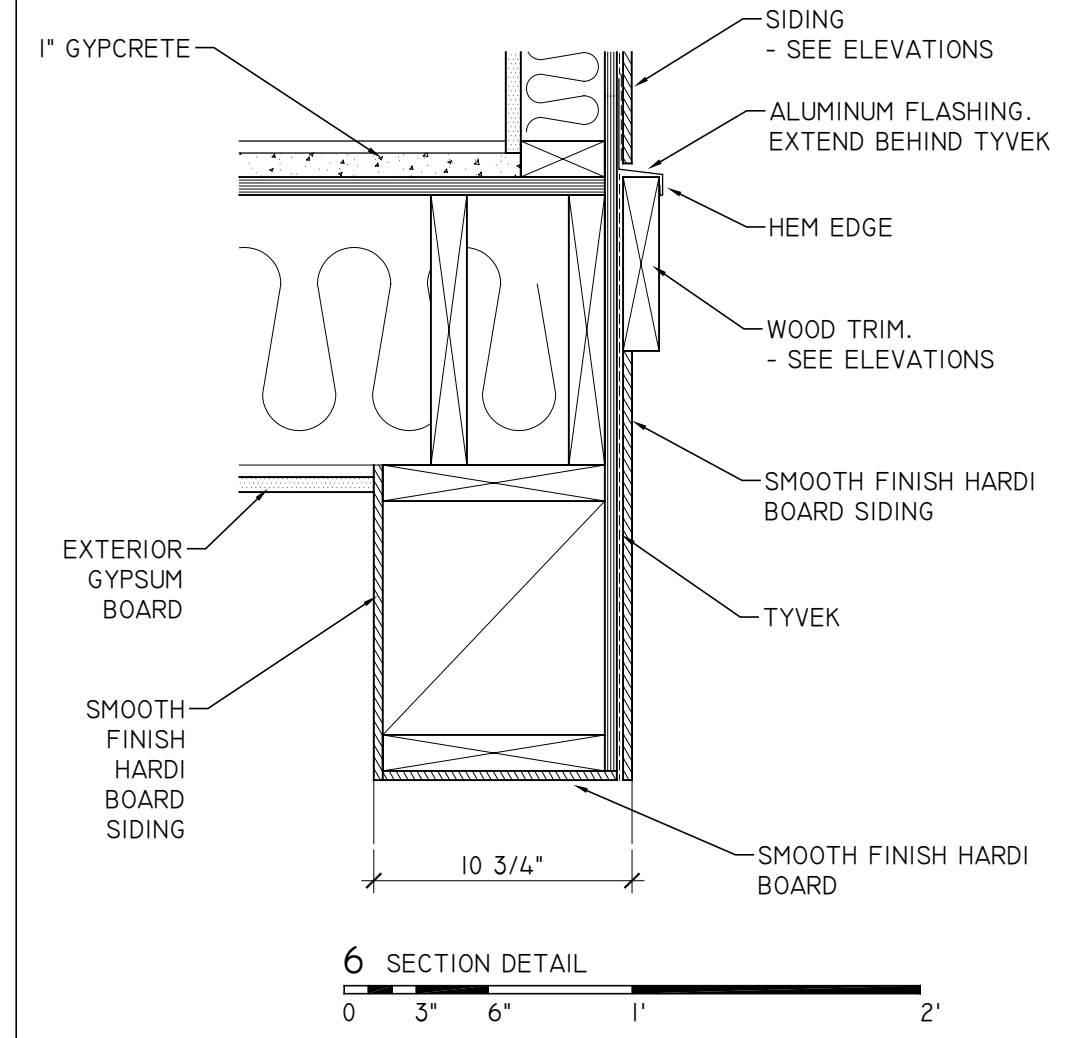
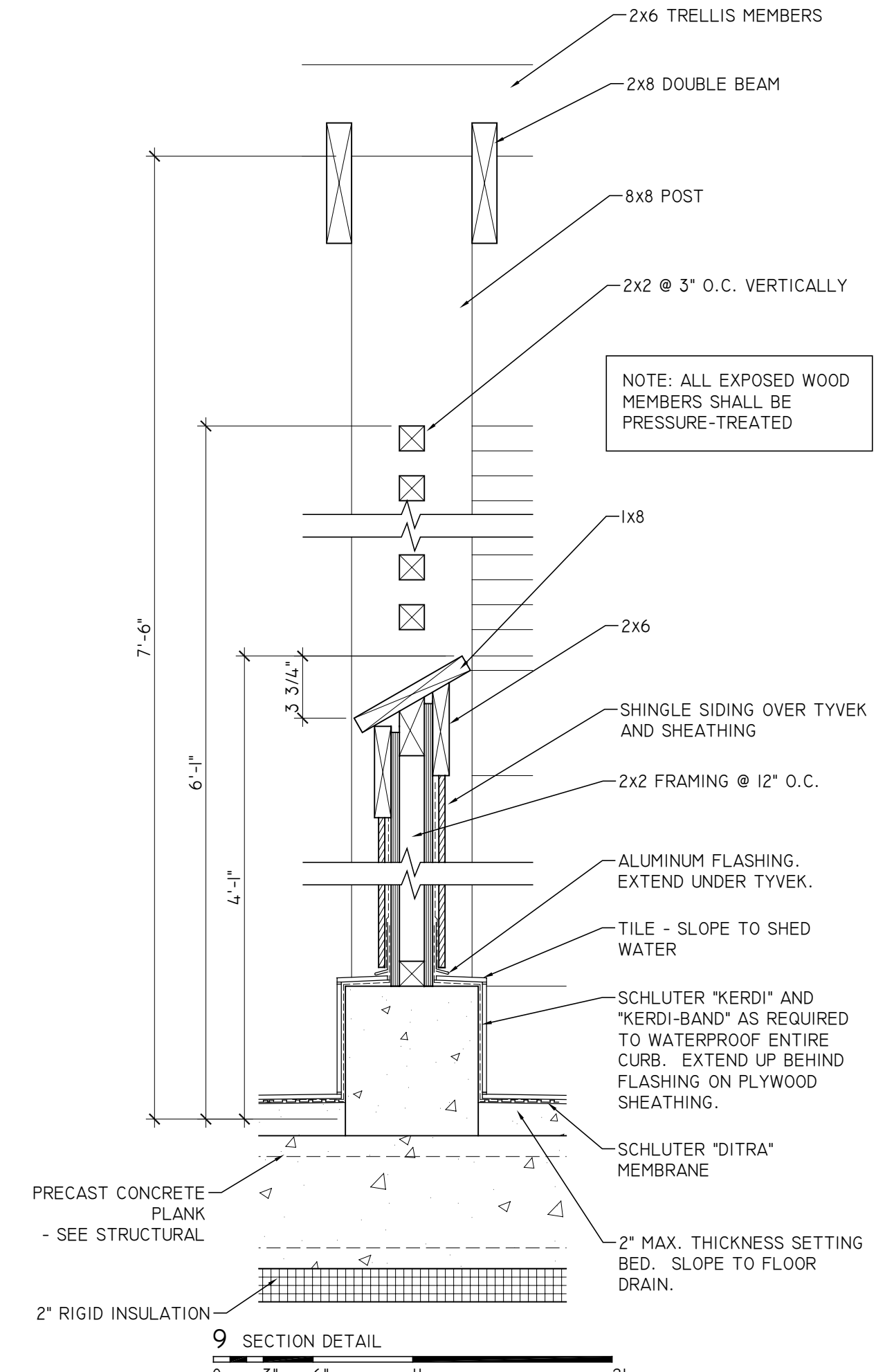
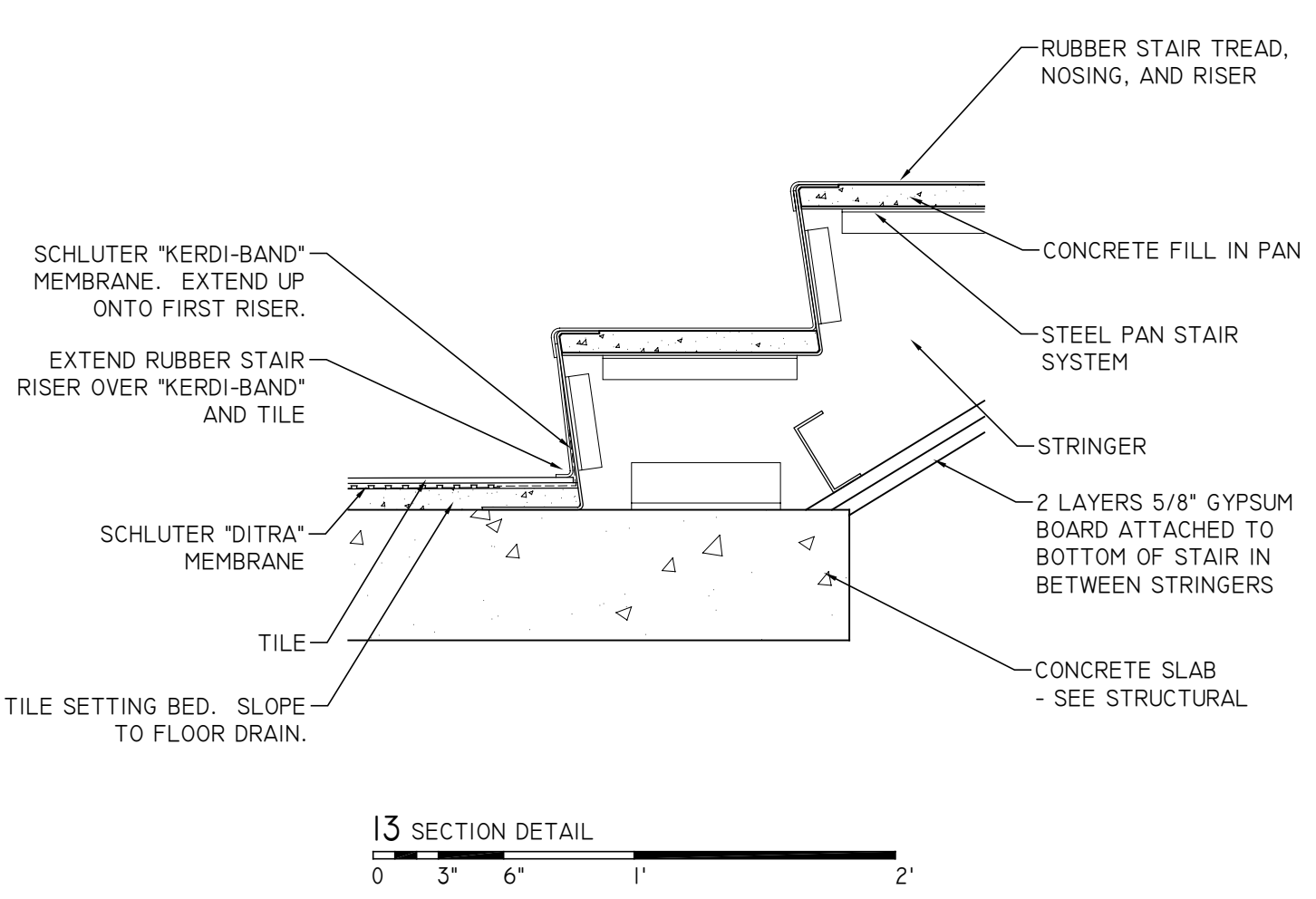
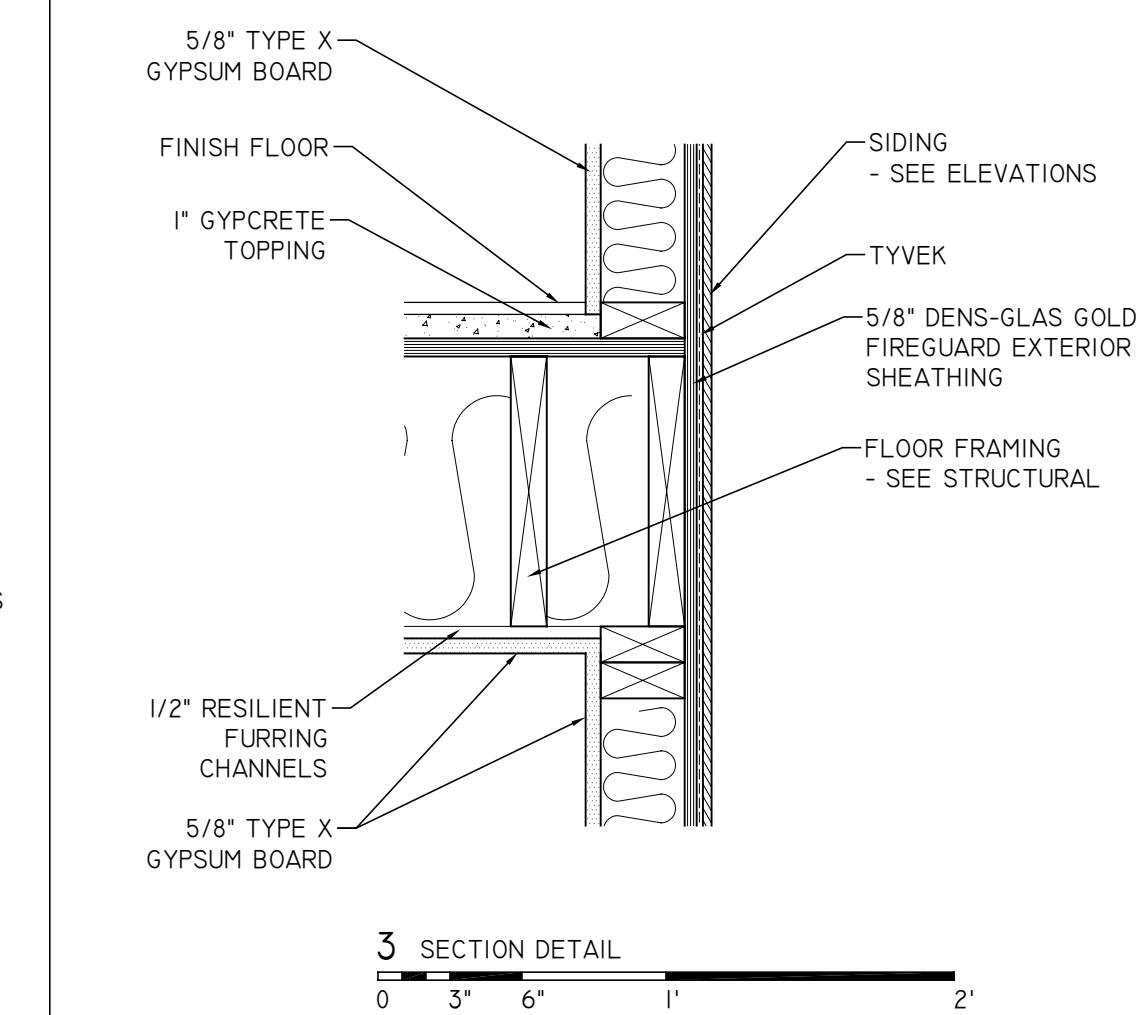
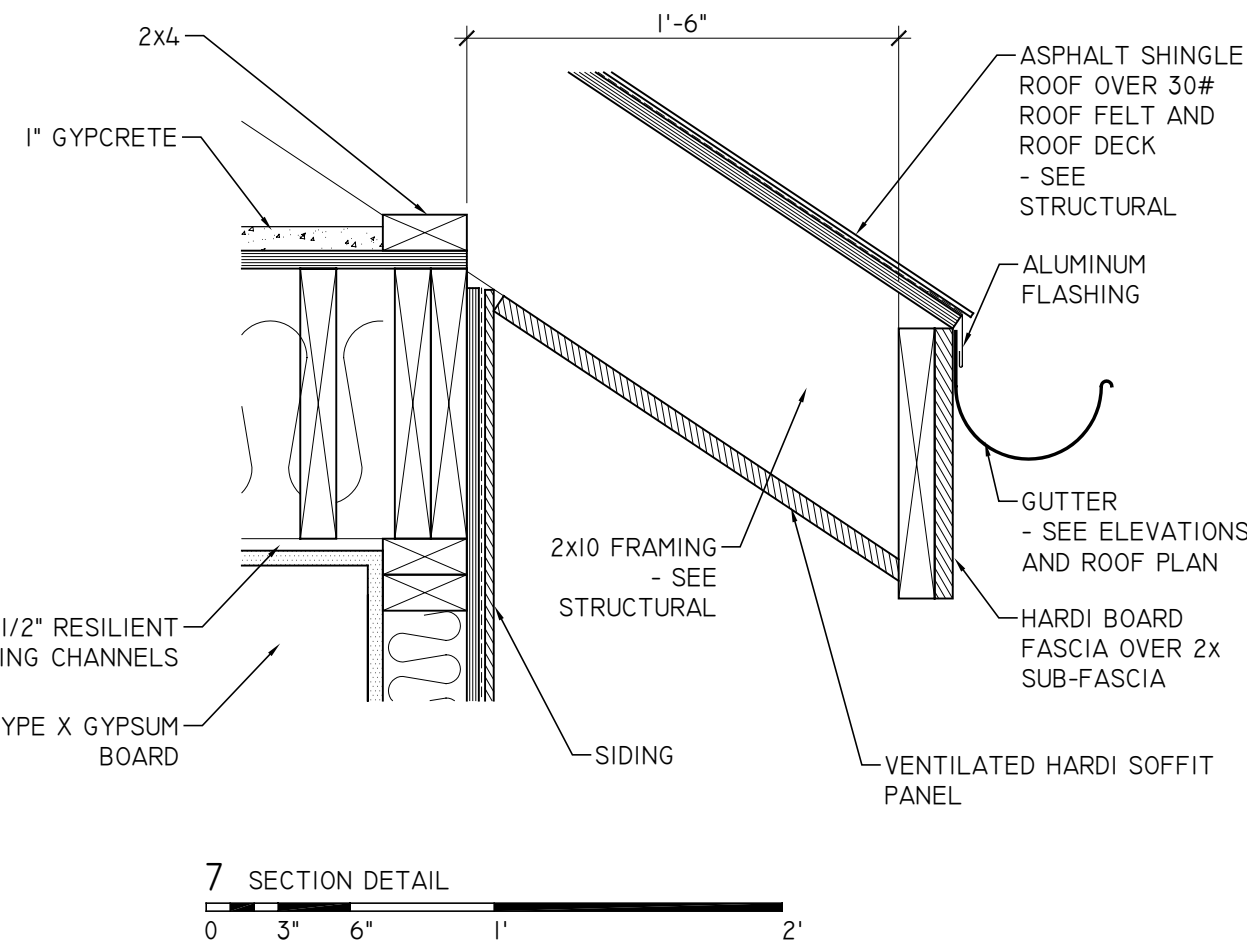
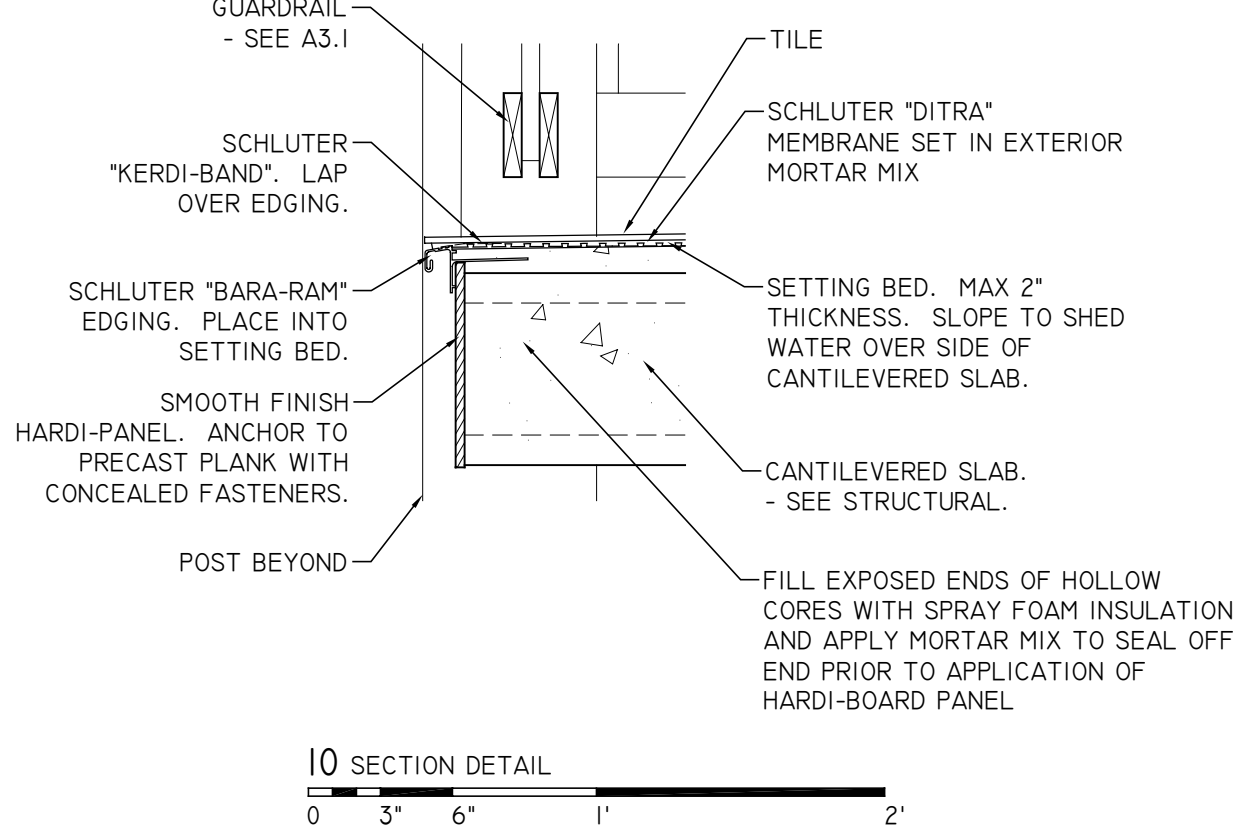
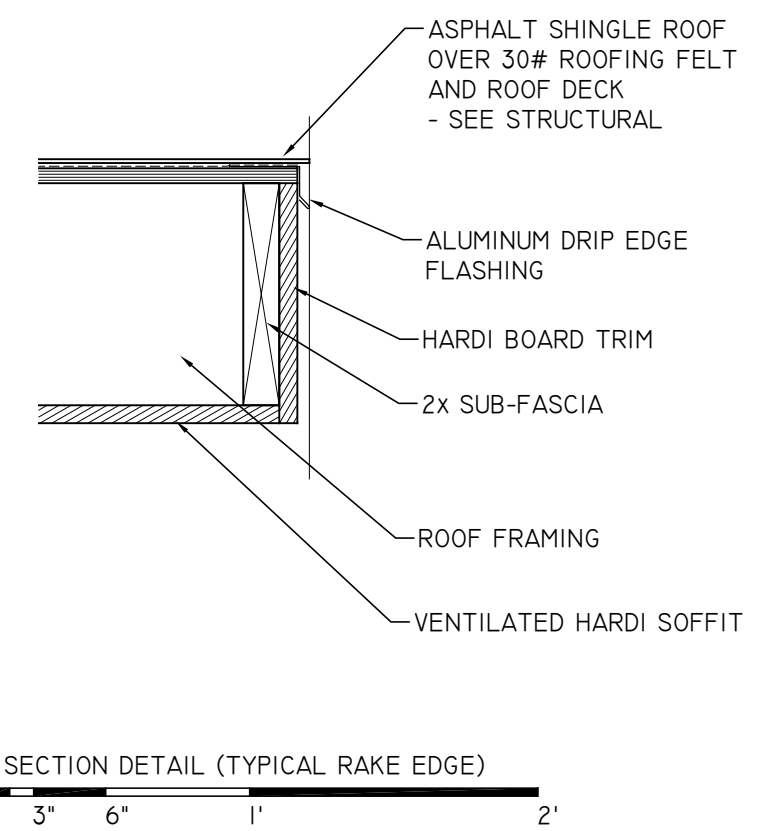
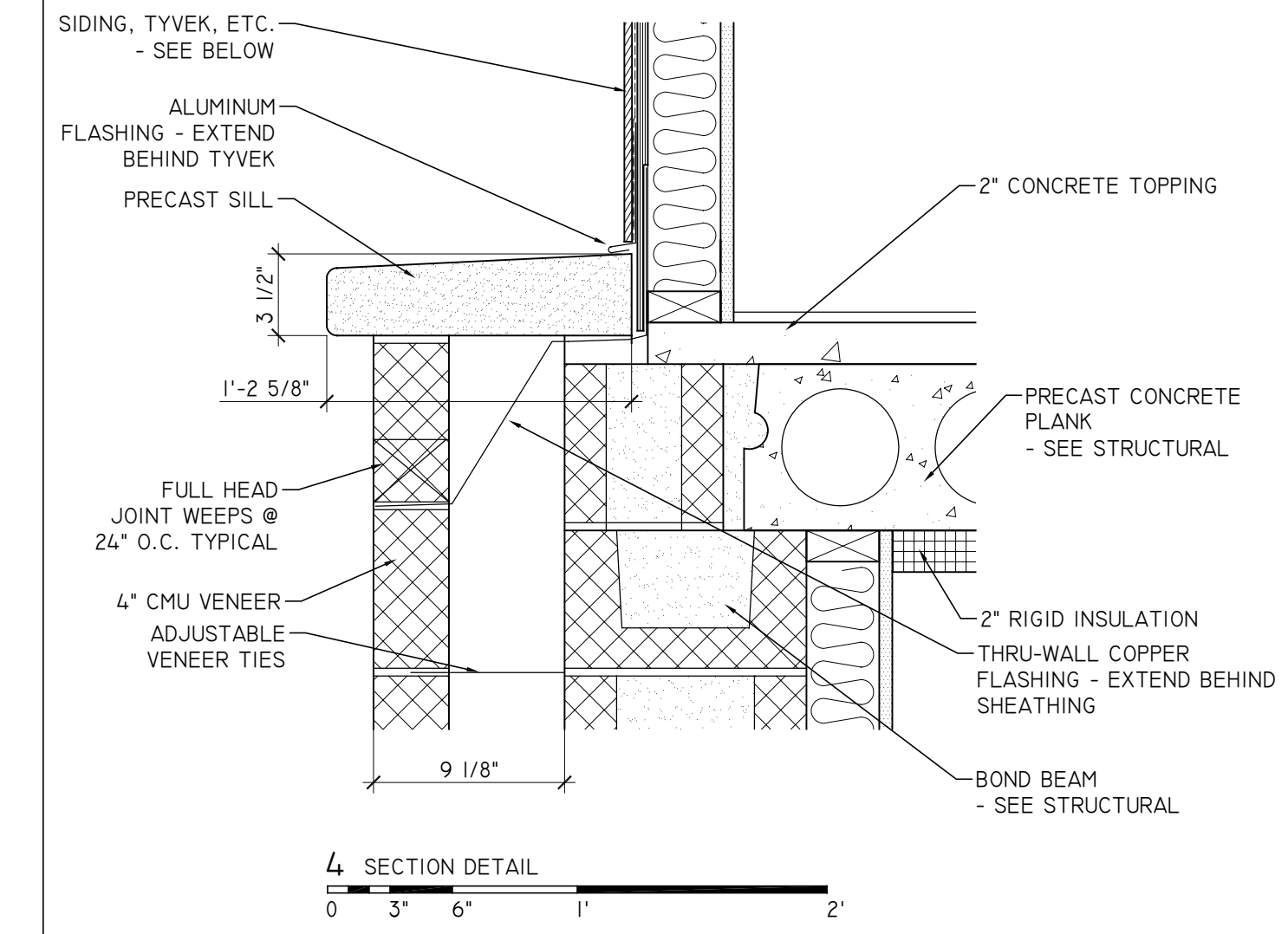
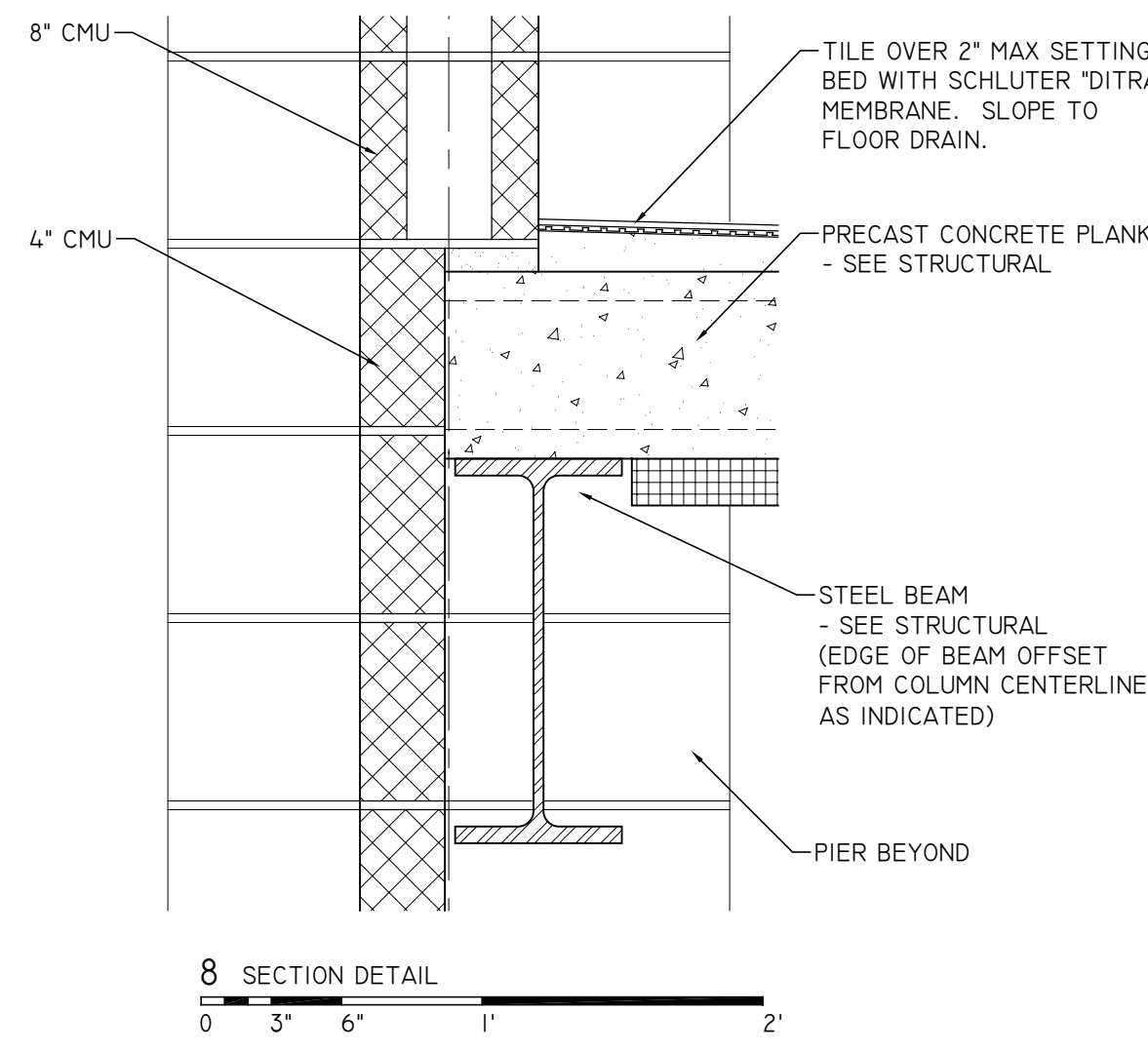
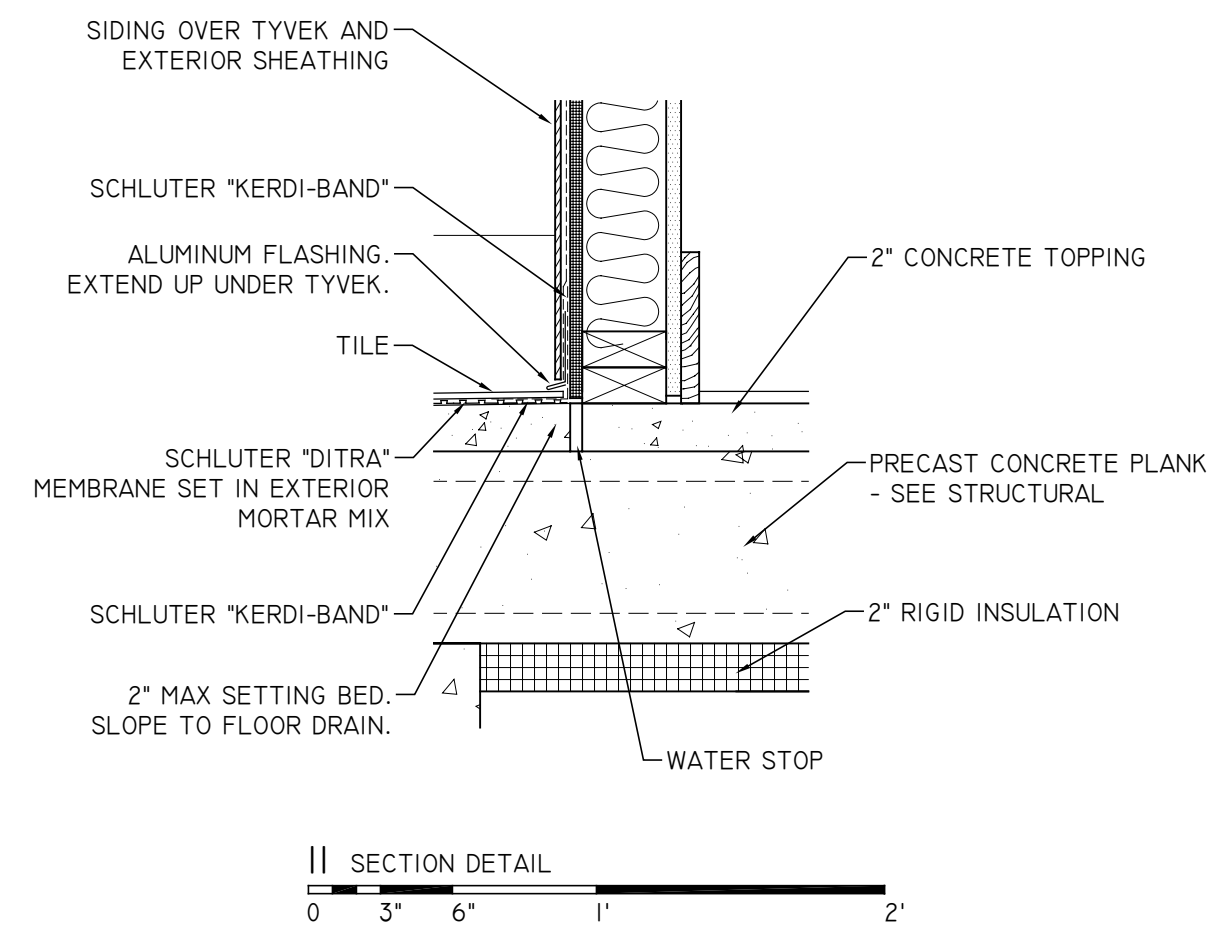


NOTES AND DIMENSIONS INDICATED ON ONE DETAIL SHALL APPLY TO ALL SIMILAR CONDITIONS THROUGHOUT THE BUILDING.



DETAILS

A4.1